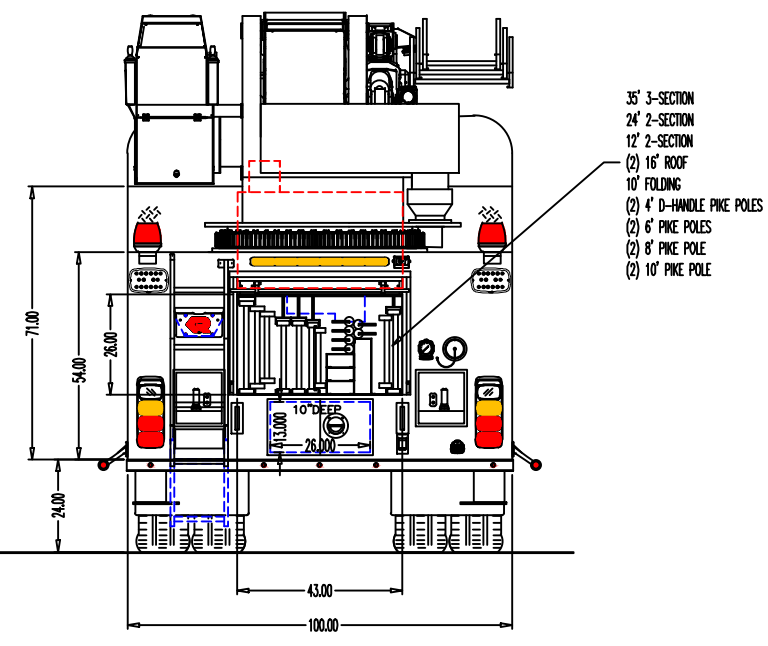
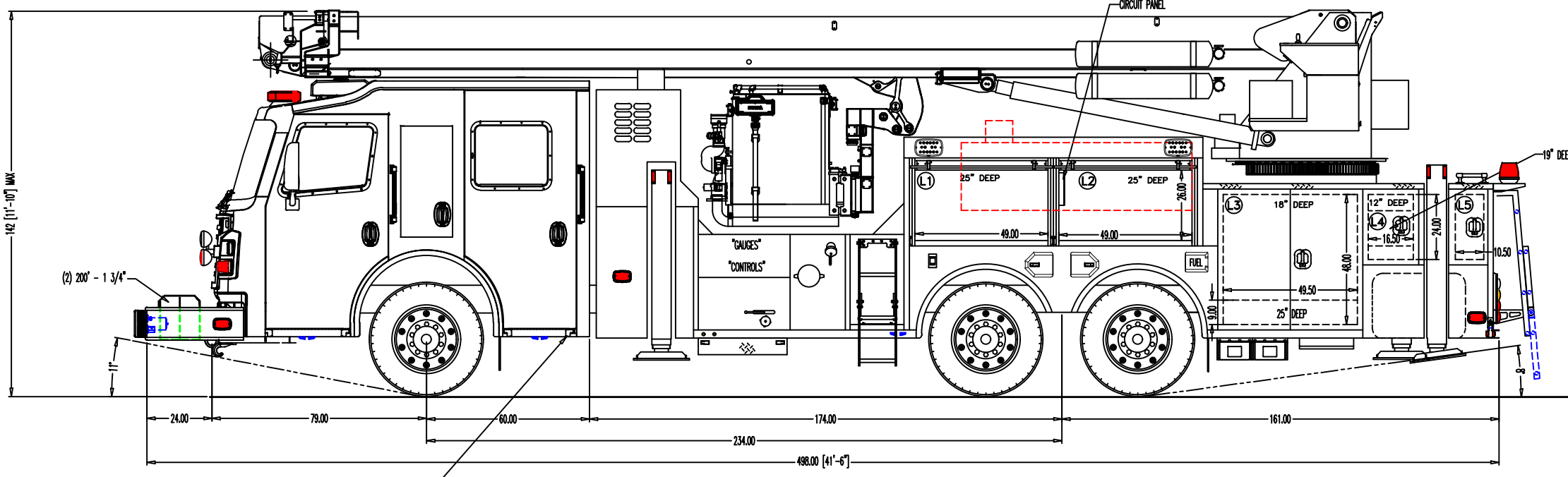


COMPARTMENT DIMENSIONS

LOCATI ON	WIDTH	HEIGHT	DEPTH	VOLUME IN CUBIC FEET
L1	49	26	25	18.4
L2	49	26	25	18.4
L3U	49.5	39	18	20.1
L3L	49.5	9	25	6.4
L4U	16.5	13	19	2.4
L4L	16.5	11	12	1.3
L5	10.5	24	19	2.8
R1	19	29	12	3.8
R2	49	26	25	18.4
R3	49	26	25	18.4
R4U	49.5	39	18	20.1
R4L	49.5	9	25	6.4
R5F	12	24	19	3.2
R5R	11	24	10	1.5
RR	26	13	10	2.0
				143.7028



- 35' 3-SECTION
- 24' 2-SECTION
- 12' 2-SECTION
- (2) 16' ROOF
- 10' FOLDING
- (2) 4" D-HANDLE PINE POLES
- (2) 6" PINE POLES
- (2) 8" PINE POLE
- (2) 10" PINE POLE

- NOTES:
- OVERALL HEIGHT IS IN LOADED CONDITION. UNLOADED HEIGHTS MAY BE 4" ABOVE HEIGHTS SHOWN.
 - DO NOT SCALE DRAWING.
 - ALL DIMENSIONS ARE APPROXIMATE AND SUBJECT TO ENGINEERING CHANGES.
 - DRAWING MAY OR MAY NOT SHOW ALL ITEMS AS DESCRIBED IN THE WRITTEN DETAIL SPECIFICATIONS.
 - INCLUSION OF AN ITEM ON THE DRAWING DOES NOT CONSTITUTE INCLUSION OF THAT ITEM WITH THE FINAL DELIVERED UNIT.

REVIS: - DATE: -
 REVIS: - DATE: -
 REVIS: - DATE: -
 DRAWN: ATG DATE: 08-22-2022 (STOCK T-REX)

PROPRIETARY AND CONFIDENTIAL
 THE INFORMATION CONTAINED IN THIS DRAWING IS THE SOLE PROPERTY OF ROSENBAUER. ANY REPRODUCTION IN PART OR AS A WHOLE WITHOUT THE WRITTEN PERMISSION OF ROSENBAUER IS PROHIBITED.

APPROVED BY:

MAXIMUM HEIGHT	-
MAXIMUM LENGTH	-
BODY WIDTH	100"

CHASSIS: ROSENBAUER R6008
 PUMP: HALE 8FG 2000 GPM
 TANK: POLY/ 300
 TYPE: AERIAL PLATFORM
 AERIAL: T-REX

=PROPOSED=
ATHENS/CLARK CO.

ROSENBAUER EXT

JOB NUMBER: - DRAWING NUMBER: P8571 REV: 01